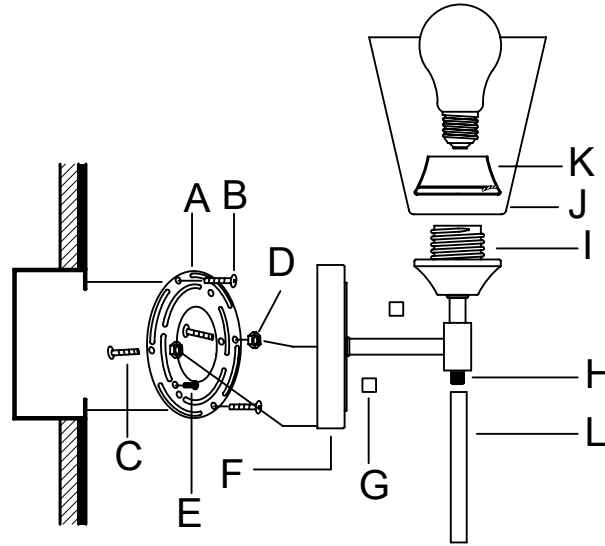
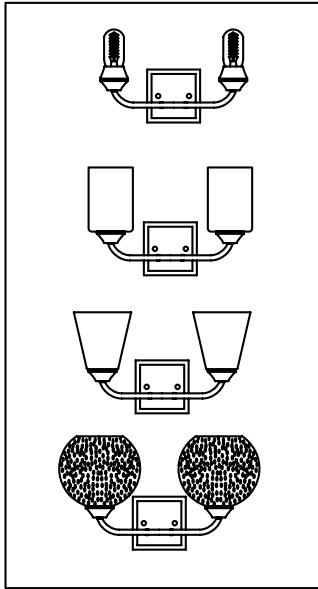


Assembly Instructions: 2120-BA2 (Ormond)

IMPORTANT:

- ALL INSTALLATION WORK SHOULD BE DONE BY ACCREDITED PROFESSIONAL.
- SHUT OFF POWER SUPPLY AT FUSE OR CIRCUIT BREAKER!
- USE ONLY THE SPECIFIED BULBS. DO NOT EXCEED THE MAXIMUM WATTAGE!

For Customer Service, contact the place of purchase.



How to Identify the Fixture's Wires		
Hot	Neutral	Ground
Smooth	Ribbed	Bare Metal, Green, or Green Inner Thread
Black	White	
Black Inner Thread	White Inner Thread	

House Wires

Hot

Neutral

Ground

Fixture Wires

Hot

Neutral

Ground

PREPARING FOR INSTALLATION

Remove all of the contents from the carton. See the important notes above. Remove the old fixture from the wall, including the old mounting strap.

1. Mounting strap (A) contains several pairs of threaded holes and two sets of mounting screws (B & C). You may need to tighten hex nuts (D) to hold mounting screws (C) in place.
2. Place mounting strap (A) up against your junction box. Place backplate (F) over the mounting strap (A) and line up mounting screws (C) with the holes in backplate (F). This will allow you to ensure that you are hanging the fixture straight. Remove the backplate and set aside for later.
3. Pull the house wires through the center of mounting strap (A). Secure mounting strap (A) to the junction box with mounting screws (B) and a screwdriver. Tighten the screws securely.

CONNECTING THE WIRES

4. Attach the fixture's wires to the house wires from the junction box. Connect Hot to Hot (black or smooth), Neutral to Neutral (white or ribbed), and Ground to Ground (green or copper). Twist the ends of the wire pairs together, and then twist on a wire connector. Make sure all twists are in the same direction. If there is no house ground wire coming from the junction box, locate ground screw (E) on the mounting bracket/mounting strap (A) and wrap the fixture's ground wire around the ground screw (E). Use a screwdriver to tighten the top of ground screw (E) onto the wires and into the mounting bracket/mounting strap. Tuck the wires into the junction box.

FINISHING THE INSTALLATION

5. Place backplate (F) over mounting strap (A) so that mounting screws (C) protrude through the holes in backplate (F). Secure the backplate to the mounting strap with decorative nuts (G). Twist the nuts until the backplate of the fixture is snug against the wall.
6. Place the rod (L) onto the nipple (H). If the fixture you purchased comes with shades, slide glass shades (J) over the socket (I) and secure in place with socket cover (K). If you did not purchase this fixture with shades, simply screw on the socket cover (K) over the socket (I).

Install light bulbs (not included) in accordance with the fixture's specifications. Do not exceed the maximum recommended wattage.

Your installation is now complete. Turn on the power and test the fixture.

CLEANING TIPS

Treat the fixture gently! Regular cleaning will reduce the need for deep cleaning. For regular cleaning, turn off the light and wipe down the fixture with a clean lint-free cotton or microfiber cloth. Never spray cleaner directly onto the fixture.